

UNTHA

The reliable brand!



LR1000/1400

Shredding solution for economic
processing of waste wood

The tried-and-tested UNTHA cutting system

Single-shaft cutting system:

The single-shaft cutting system was developed for efficient shredding, a long service life of the indexable inserts and low maintenance. Together with the high-performance power train, it ensures the reliable shredding of residual wood, both with and without a pusher system.

Smooth rotor shape

The smooth, full-steel rotor enables the indexable inserts to dig deeper into the material than a highly profiled rotor, resulting in excellent material feed-in.

Cut-as-you-pull

The unique shape of the indexable inserts makes for a “cut-as-you-pull” effect, which means that the unit requires less power and achieves a higher throughput.

Screwed-in blade holders

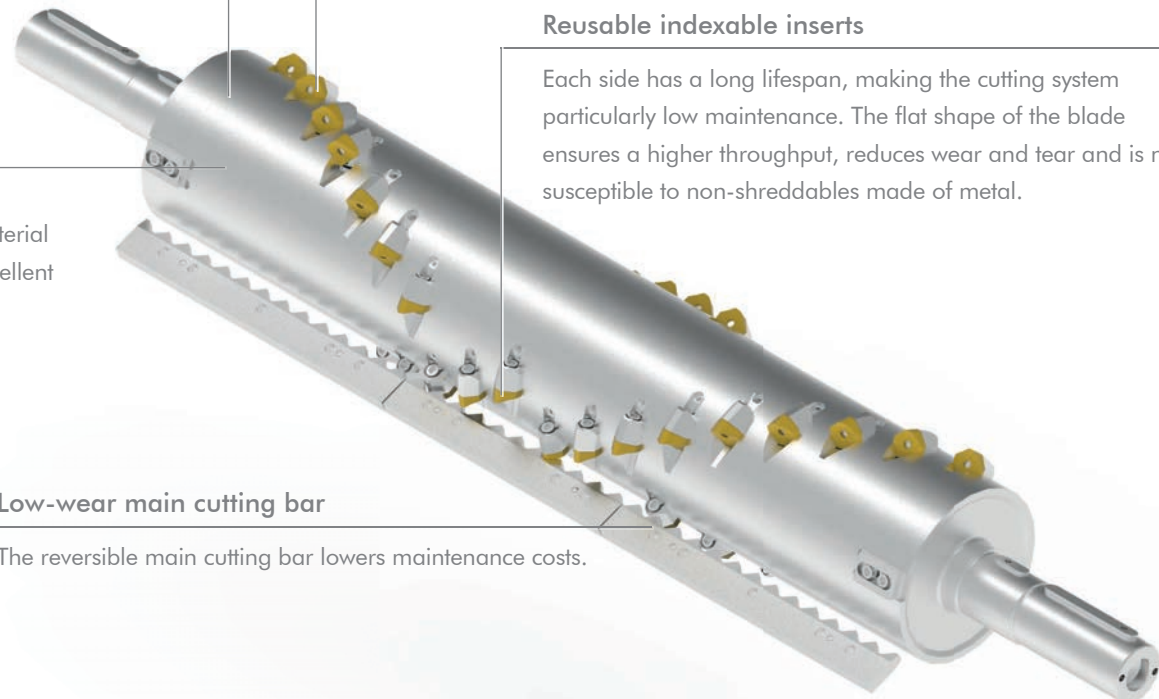
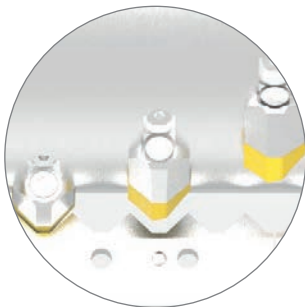
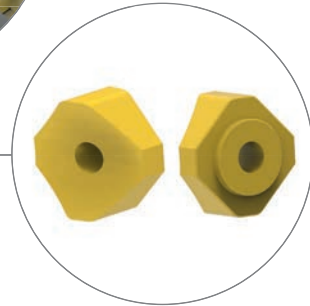
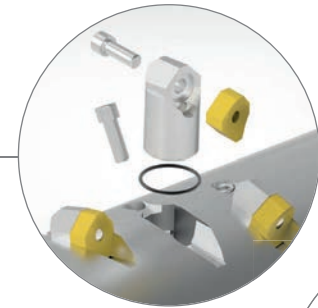
The screwed-in, exchangeable blade holders are easy and quick to replace in case of damage (for instance caused by solid metal parts).

Reusable indexable inserts

Each side has a long lifespan, making the cutting system particularly low maintenance. The flat shape of the blade ensures a higher throughput, reduces wear and tear and is not susceptible to non-shreddables made of metal.

Low-wear main cutting bar

The reversible main cutting bar lowers maintenance costs.



LR1000/LR1400

Single-shaft shredding system

The LR1000/LR1400 stand out for their high levels of reliability and performance. Probably the best-known representatives of the LR series, they are the first choice when it comes to demanding applications that require high throughputs.

Due to their high level of reliability, they are used by joiners, in sawmills and the timber-processing industry where large quantities of residual wood are produced. The homogeneous final product is extremely well suited for use in wood-chip heating systems or for manufacturing wood briquettes.

Areas of application

- » Hard and soft wood
- » OSB
- » Chipboard panels
- » MDF panels
- » Veneers
- » Cap pieces
- » Pallets
- » etc.



Your benefits at a glance

Robust and compact design

The robust machine frame and high-grade components have a particular long service life. Thanks to the compact design, the machine only has a small footprint.



Reliable, cost-effective cutting system

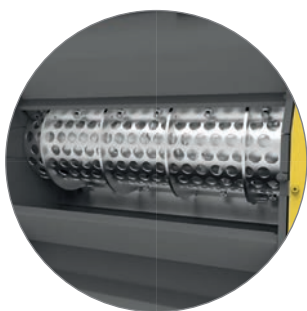
The large rotor diameter (300 mm) and screen surface and the use of a secondary cutting bar all ensure a high throughput.

The screw-in, exchangeable blade holders are easy and quick to replace in case of damage (for instance caused by solid metal parts). The precise cutting gap between the main/secondary cutting bar and the indexable inserts makes the shredding process particularly efficient. The main cutting bar is reversible and easy to exchange.

Unique geometry of the indexable inserts

The reusable indexable inserts have a long service life. Their unique cutting geometry ensures a "cut-as-you-pull" effect that makes for particularly effective shredding even of wet wood.

The positive connection between the indexable insert and the blade holders prevents the fastening bolt from becoming deformed. It is easy to loosen and remove even after many hours of operation.



Low-wear perforated screen

Depending on the requirements, a range of screens ensure the production of a defined granulate. The shredded material is then removed via a suction mechanism or a screw conveyor.

The special design of the perforated screen provides a particularly homogeneous final product that is ideal for briquetting or use in a wood-chip heating system.

Powerful material discharge system

The screw conveyor is integrated as standard and removes material reliably and speedily.



Powerful, low-wear swivelling pusher

The powerful, low-wear swivelling pusher pushes the residual wood against the rotor (load-dependent), ensuring a continuous material feed. Two pull-along hydraulic cylinders ensure a smooth and even feed-in for the swivelling pusher. The pusher guides are maintenance-free and not subject to any wear. The standard use of a fast hydraulic system results in a high throughput.

The hydraulic power unit is safely integrated in the machine frame/housing and yet easily accessible. Thanks to the compact design, the machine only has a small footprint.

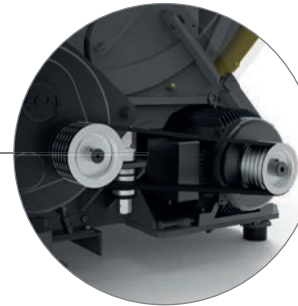
Unique warranty

As a proof of our excellent product quality, we are happy to offer you a 3-year warranty*. Many renowned companies already put their trust in our quality standards.

*3 years or 2000 hours, depending on which value is reached first.

Energy-efficient, failure-free drive concept

The tried-and-tested belt drive and elastomer damper absorb shocks and vibrations and ensure the smooth running of the machine. The automatic reverse function, detection of non-shreddables and shut-off function protect the drive unit. The automatic shut-off function shuts down the machine when idling, further lowering energy costs.



Options

Mechanical extras

- » 45° machine housing for a higher filling volume
- » Second row of blades along the rotor for even higher throughputs
- » Profiled pusher floor for processing thin material
- » Pallet swivelling pusher

Electrical extras

- » Control system upgrade (light barrier, superordinate control system, BUS system, etc.)
- » Integration of peripheral devices into the control system
- » Suction mechanism activation
- » Automatic start

Accessories

- » Customer-specific undercarriages
- » Range of discharge feed systems (conveyor belts, etc.)
- » Range of metal separation units

Service

- » UNTHA Carefree Packages (Basic, Standard, Professional): Ensure that machines are technically sound and ready for use at all times

MACHINE TYPE DIMENSIONS	LR1000	LR1400
B (mm)	1.630/2.010	2.030/2.406
B1 (mm)	1.000	1.400
H (mm)	1.630	1.645
T (mm)	1.704	1.704
T1 (mm)	1.050	1.050



TECHNICAL DATA		LR1000	LR1400
Rated capacity of the rotor	kW	22/30/2 x 18.5	30/2 x 22/2 x 30
Rated capacity of the hydraulic system	kW	1.1/1.1/1.5	1.5/1.5/1.5
Rated capacity of the screw conveyor	kW	0.55	0.55
Ø Rotor	mm	300	300
Rotor speed	rpm	98	98
Number of indexable inserts	pcs	27/54	38/76/114
Feed opening	mm	1,000 x 1,050/1,600 ¹⁾	1,400 x 1,050/1,600 ¹⁾
Ø Screw conveyor	mm	200	200
Ø Suction nozzles	mm	250	250
Required suction speed	m/s	28	28
Recommended pipe cross section	mm	250	250
Weight	kg	2,400 - 2,700	2,800 - 3,500
Workspace-specific sound pressure level LPA 1m	dB (A)	approx. 82	approx. 82
Ø perforated screen	mm	15 - 40	15 - 40
Throughput rates*	srm/h	Up to 8	Up to 10

*) Dependent on type of material and diameter of perforated screen
¹⁾ With 45° machine frame

All dimensions in mm

UNTHA shredding technology GmbH

Kellau 141

5431 Kuchl | Österreich

Tel.: +43 6244 7016 0

Fax: +43 6244 7016 1

info@untha.com

www.untha.com

5 reasons to choose UNTHA



Customised, long-lasting shredding solutions



Premium quality products and services



All-encompassing expertise, from development to production, under one roof



Reliable customer service with the best technical know-how



More than 10,000 satisfied reference customers worldwide

Authorised UNTHA sales partner

We deliver what we promise

Since our founding in 1970, we've followed our promise of being "the reliable brand", which applies to every product and service that UNTHA delivers.

We work hard to consistently outperform our competitors, and provide customers with the confidence that – in choosing UNTHA – they have made the best decision for their business.

All revisions reserved. Subject to setting and printing errors.
All illustrations are representative and may deviate from the actual product.
© 12/20 UNTHA shredding technology